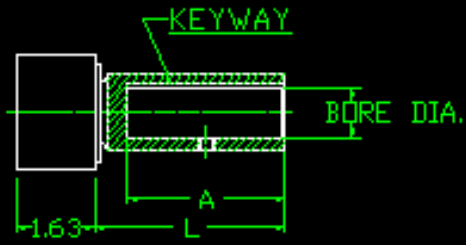
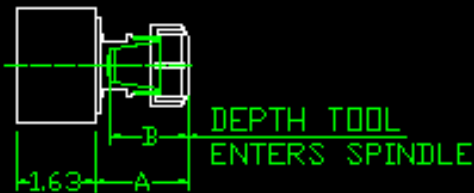
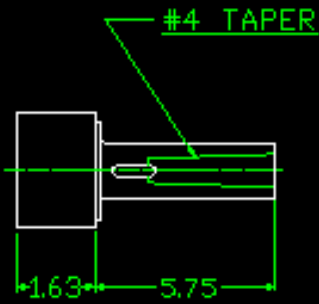
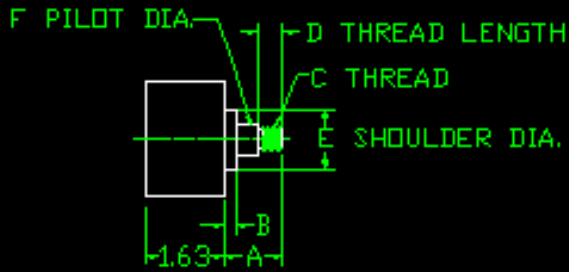


STRAIGHT BORE



BORE	A	L	KEYWAY
.750	2.63	2.75	5/32
.875	3.25	3.88	3/16
1.06	3.25	3.94	3/16
1.375	4.25	5.56	1/4



COLLET	A	B	COLLET CAPACITY
ER-25	1.84	1.61	3/64" TO 5/8"
ER-32	2.31	1.84	5/64" TO 25/32"
ER-40	2.75	2.09	1/8" TO 1"

ALSO OTHER CUSTOM SPINDLES AVAILABLE
PER REQUEST