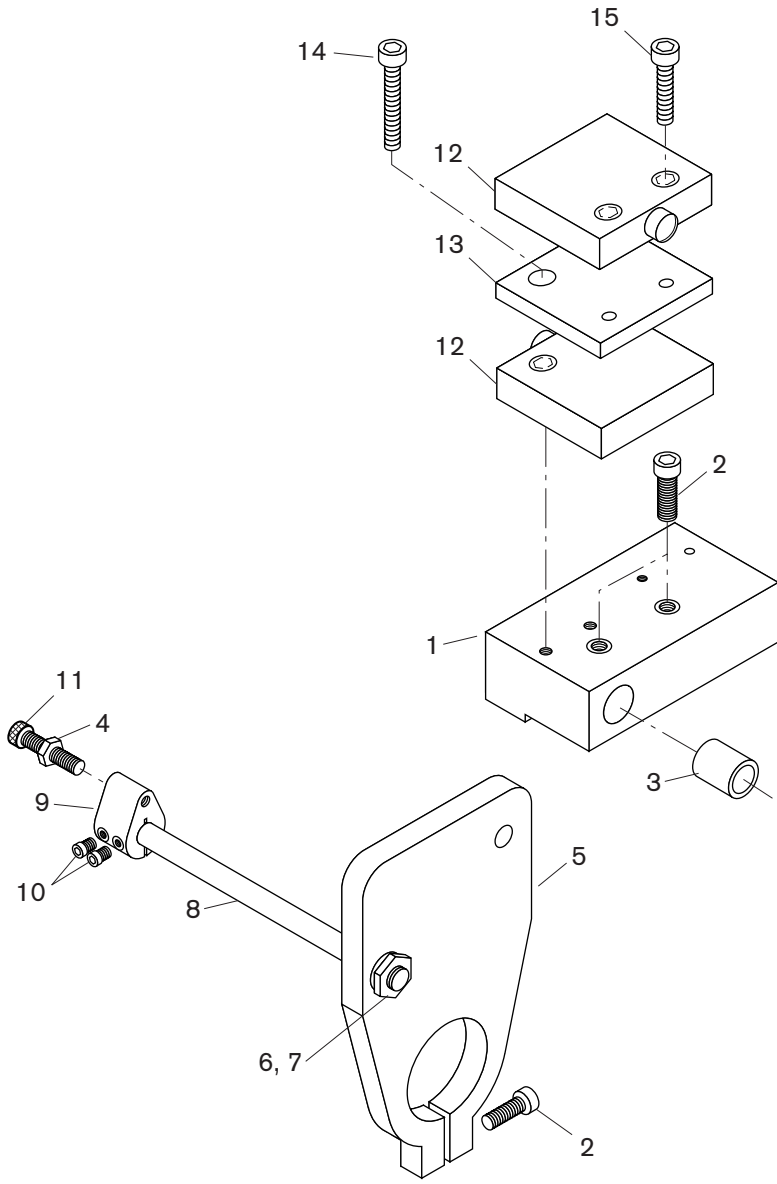


300 SERIES STROKE CONTROL ASSEMBLY



Item No.	Number Required	Part No.	Description	Item No.	Number Required	Part No.	Description
1	1	22432	Stroke Control Base	9	1	22431	Depth Switch Cam
2	3	-	1/4 - 20 x 1 1/4 SHCS	10	2	-	8 - 32 x 1 1/2 SHCS
3	1	B-14	Guide Rod Bushing	11	1	819	Depth Actuating Screw
4	1	-	1/4 - 28 Jam Nut	12	2	914CE1-6A	Depth, Interlock Switch
5	1	902	Quill Clamp	13	1	22433	Spacer
6	1	-	3/8 - 24 Jam Nut	14	2	-	10 - 32 x 1 1/8 SHCS
7	1	-	3/8 Lockwasher	15	2	-	10 - 32 x 5/8 SHCS
8*	1	812	Actuating Rod				

* NOTE: Item 8 – Specify stroke length