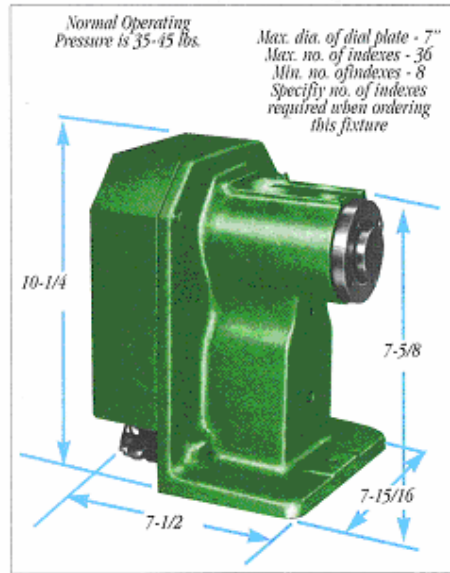


## Vertical Dial Indexing Fixtures

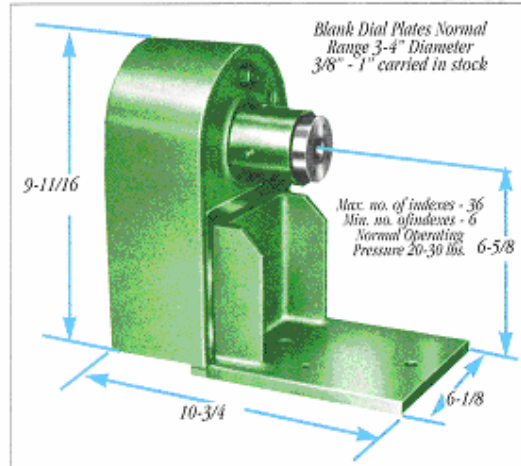
No. 10V99 Drum Dial Indexing Fixture. Air Operated. Various Dials Tooled for Threading & Tapping. Indexes from 8 to 36 stations.

- Standard Plates 5-1/2" - 6" diameter
- Various Thicknesses carried in stock
- Maximum diameter of dial plate is 7"
- Normal operating pressure is from 35-45 Lbs.
- Dial plate and tooling to meet job requirements are priced separately



No. 15V99 Vertical Dial Indexing Fixture indexes from 6 to 36 stations. (16VHC - with horizontal clamp)

- Blank dial plates have a normal range of 3"-4" diameter
- Normal operating pressure is from 20-30 Lbs.
- Dial plate and tooling to meet job requirements are priced separately



No. 18-V99 Vertical Dial Indexing Fixture indexes from 10 to 36 stations.

- Dial plate and tooling to meet job requirements are priced separately

