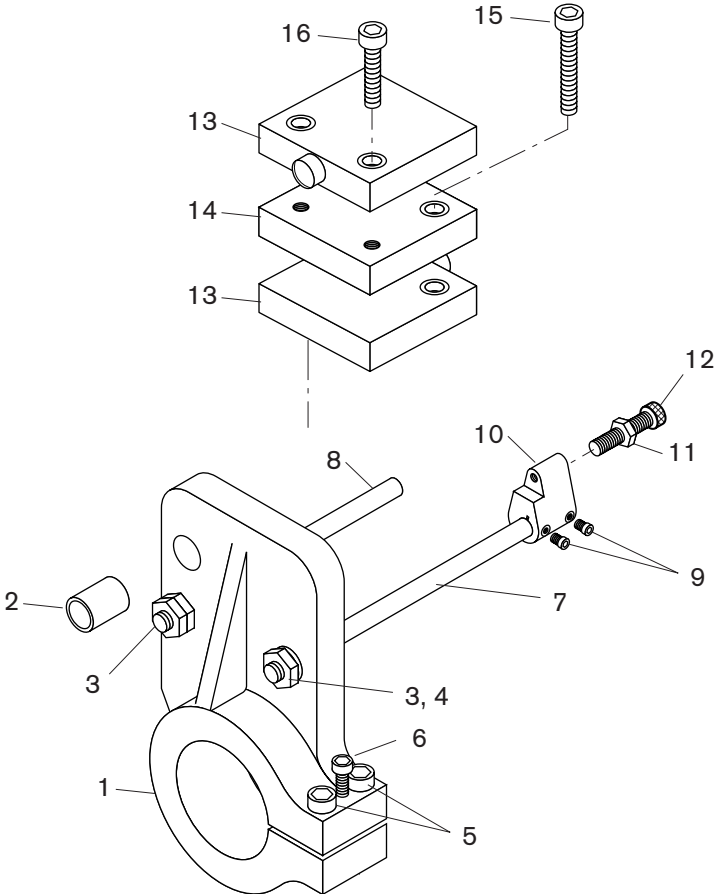


400 SERIES STROKE CONTROL ASSEMBLY



Item No.	Number Required	Part No.	Description	Item No.	Number Required	Part No.	Description
1	1	14349	Quill Clamp	9	2	-	8 - 32 x 1/2 SHCS
2	1	B-90	Guide Rod Bushing	10	1	22438	Depth Switch Cam
3	3	-	3/8 - 24 Jam Nut	11	1	-	1/4 - 28 Jam Nut
4	1	-	3/8 Lockwasher	12	1	819	Depth Actuating Screw
5	2	-	3/8 - 16 x 1 1/2 SHCS	13	2	914CE1-6A	Depth, Interlock Switch
6	1	-	5/16 - 18 x 1 1/4 SHCS	14	1	22433	Spacer
7	1	1182	Actuating Rod	15	2	-	10 - 32 x 1 1/8 SHCS
8	1	1121	Guide Rod	16	2	-	10 - 32 x 5/8 SHCS