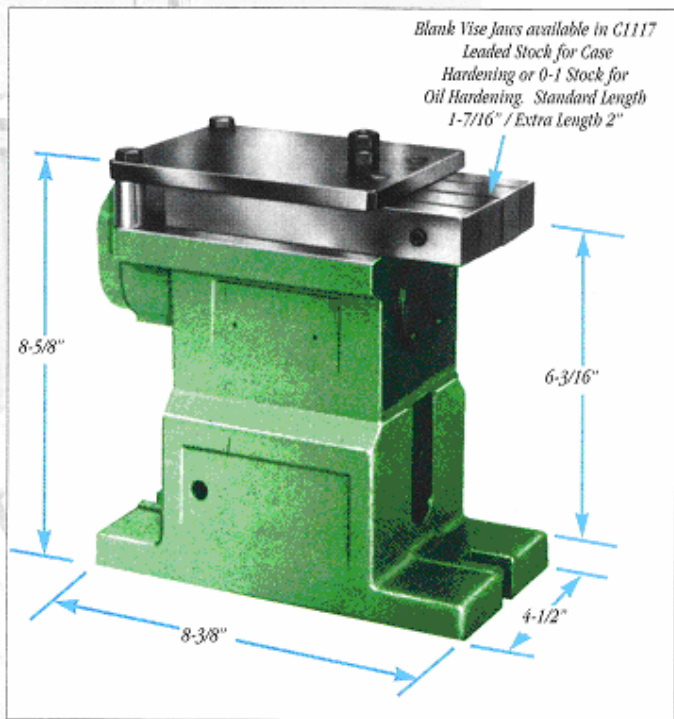




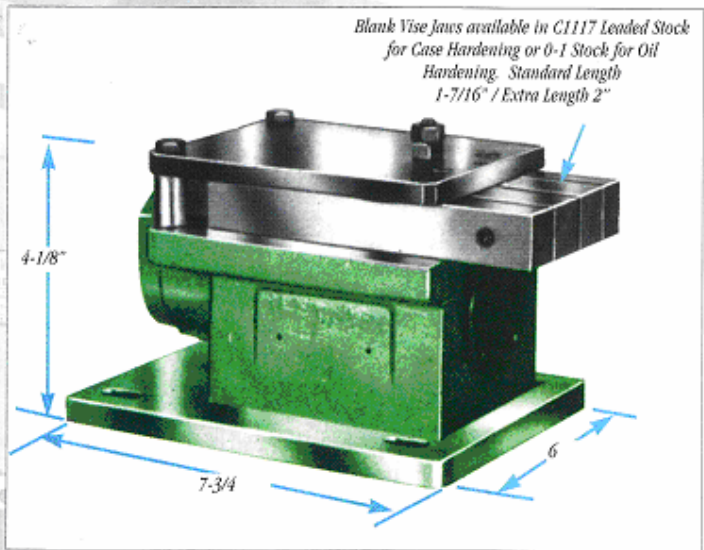
Self-Centering Air Vise



No. 612 Air Vise uses insert-type parts holding jaws.

- Blank vise jaws are available for case hardening or oil hardening
- Standard Length 1-7/16"
- Extra Length 2"
- Maximum clamping capacity of air vise 1-1/8" diameter; oversize master jaws are available for large diameter part maximum diameter of 1-3/4".

Catalog No. 612A99
 With oversize Jaws (2")
612LBJ99
 Additional pairs of standard length blank jaws
612J99
612KE99 (for oil hardening)
 Additional pairs of oversize blank jaws
612L99



No. 612 Air Vise (short base) uses insert-type parts holding jaws.

- Blank vise jaws are available for case hardening or oil hardening

Catalog No. 612B99
 With oversize Jaws
612SLBJ99
 Additional pairs of oversize jaws (2")
600BS199