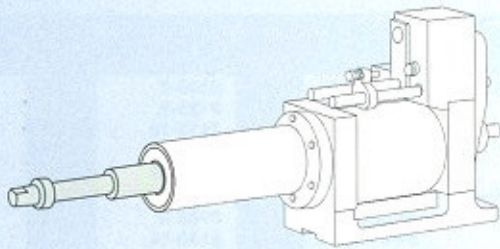
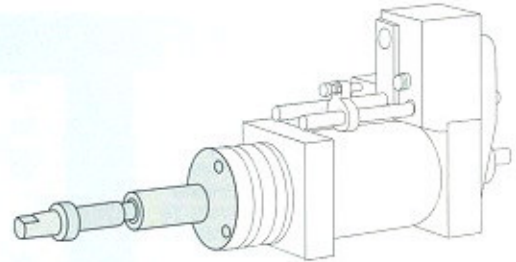


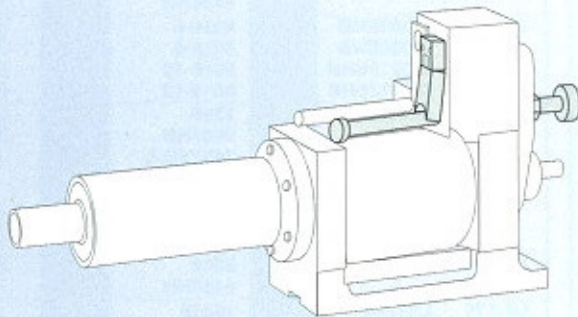
SPECIAL OPTIONS



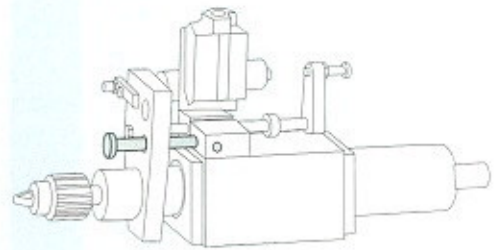
DQ Style spindle positive stop.



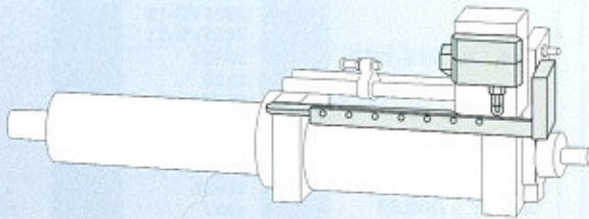
SP Style spindle positive stop.



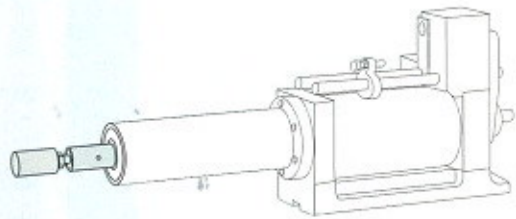
300 Series stroke control positive stop.



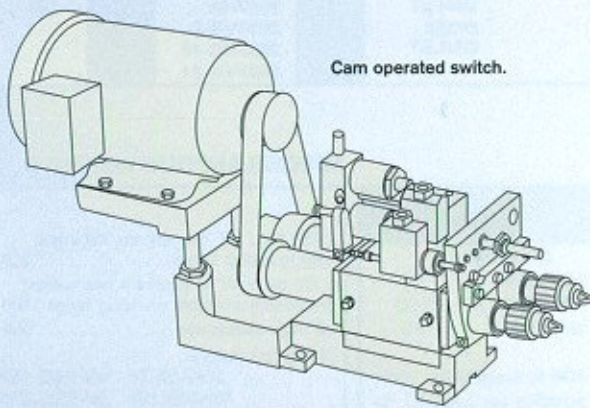
200 Series stroke control positive stop.



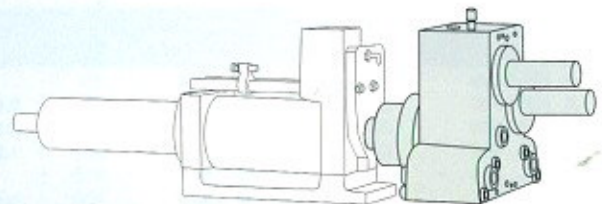
Cam operated switch.



Hole-thru spindle with rotating coupling.



Twin unit mount.



Multiple spindle mount.